

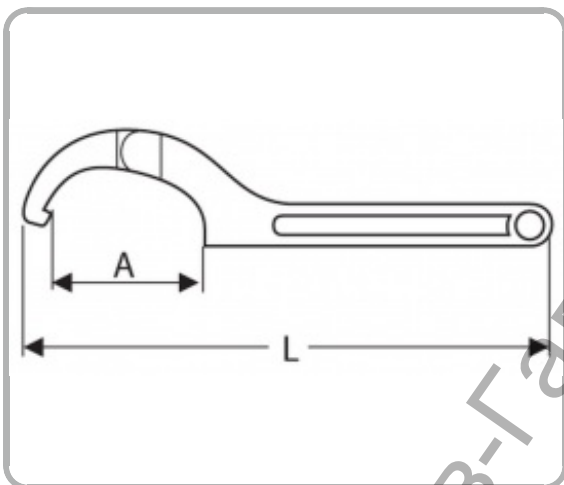
HOOK AND PIN WRENCHES


Description :

- Sizes cover 19 to 159mm.
- Hardened Chrome Vanadium steel body.
- High chrome finish.

Conditioning :

1


References :

	EAN	A [mm]	L [mm]	[g]
<u>E112601</u>	3258951126011	19 - 51	165	130
<u>E112602</u>	3258951126028	32 - 76	216	225
<u>E112603</u>	3258951126035	51 - 121	267	455
<u>E112604</u>	3258951126042	114 - 159	308	490